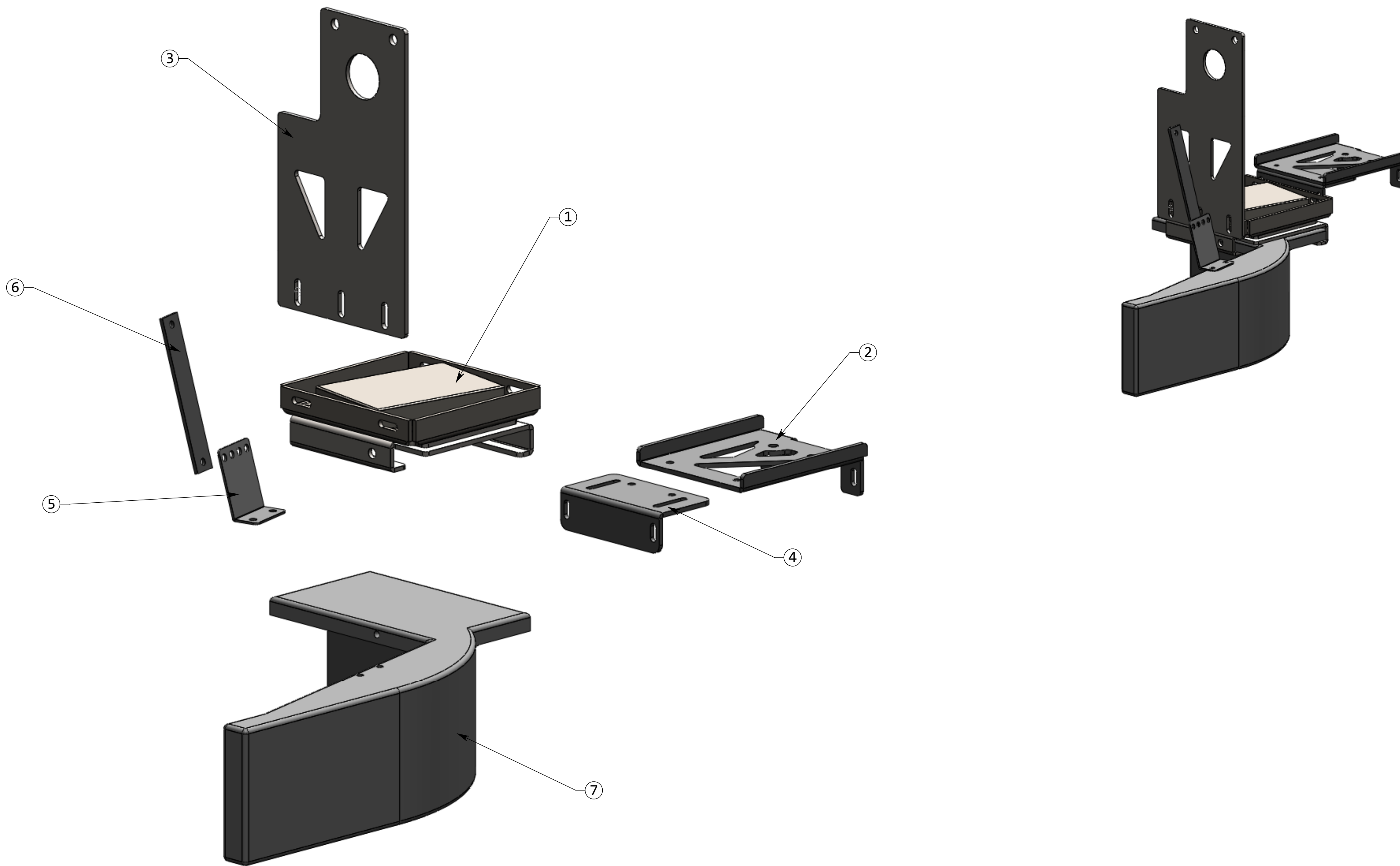


REVISIONS				
ZONE	REV.	DESCRIPTION	DATE	APPROVED



ITEM NO.	PART NUMBER	DESCRIPTION	QTY.
1	PTS-2011-001	SPRING LOADED RECEIVER ASSEMBLY	1
2	PTS-2011-001-7 REV A	CHANNEL MOUNT	1
3	PTS-2011-001-12 REV A	UPRIGHT-3	1
4	PTS-2011-001-9	ANGLE MOUNT	1
5	PTS-09-165-1	BRACKET	1
6	STRAP8-5INCH	RUBBER STRAP	1
7	NABI210-6.5-1.5	GUARD, NABI210	1

CUSTOMER : PUBLIC TRANS SAFTEY		
PART NUMBER: SCANIA 2011 YS2K6X20001875068 BOOGIE		
DESCRIPTION : FRONT AXLE ASSEMBLY		
MATERIAL: SEE BOM		THICKNESS:
FINISH:	DRAWN BY: TROY	DATE: 4/30/2014
PRESS BRAKE INFORMATION		UNLESS OTHERWISE SPECIFIED TOLERANCE INFORMATION
BEND DEDUCTION		.X = + OR -.030 .XX = + OR -.020 .XXX = + OR -.010
PRESS BRAKE V DIE		FRACTION = + OR - 1/16" ANGLES = + OR - 1/2 DEG
PRESS BRAKE PUNCH		

PMF
PACIFIC METAL FAB

Defining The Cutting Edge In Metal Fabrication
PRECISION METAL FABRICATION, DESIGN ENGINEERING & ASSEMBLIES
311 CHAMBERS ST. EUGENE, OR 97402 - PO BOX 41090 EUGENE, OR 97404
(541) 747-7331 - 1-877-747-7331 - FAX (541) 747-6130

THIRD ANGLE PROJECTION	WEIGHT:67.067	SCALE: 1:12
	REVISION	SHEET 1 OF 1