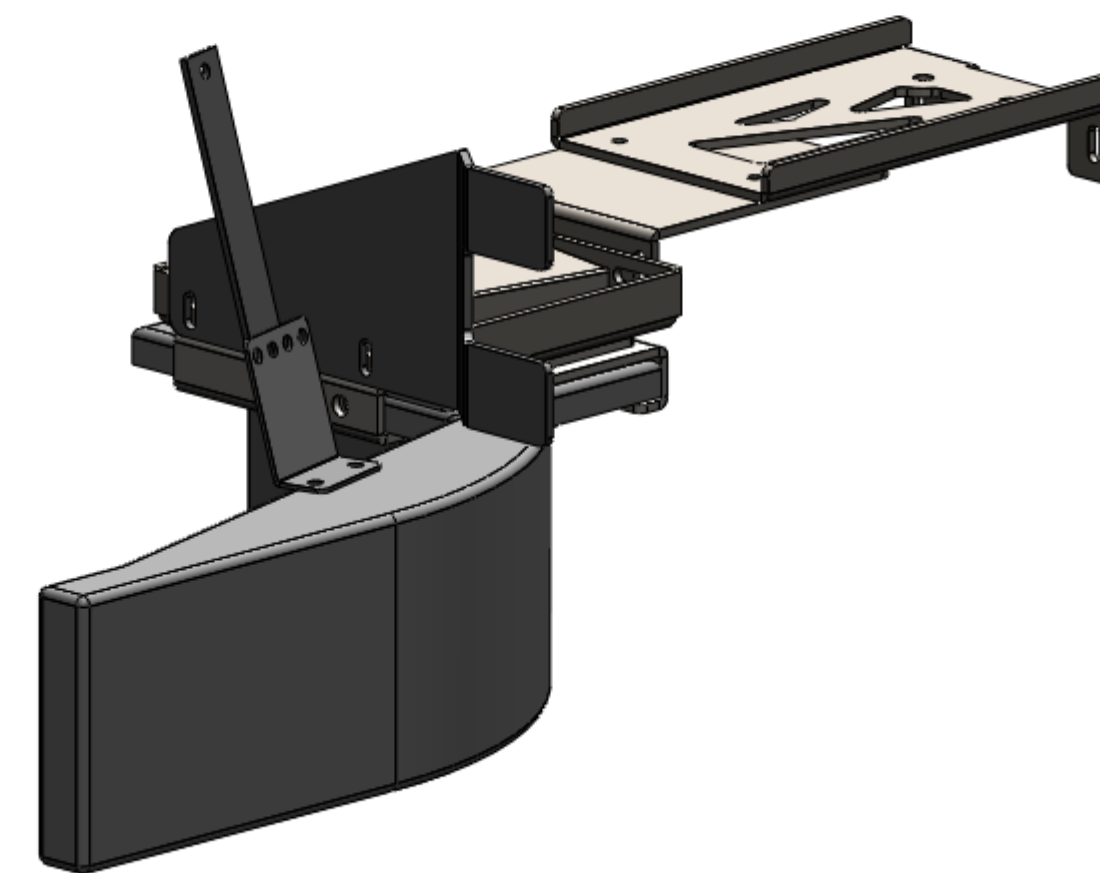
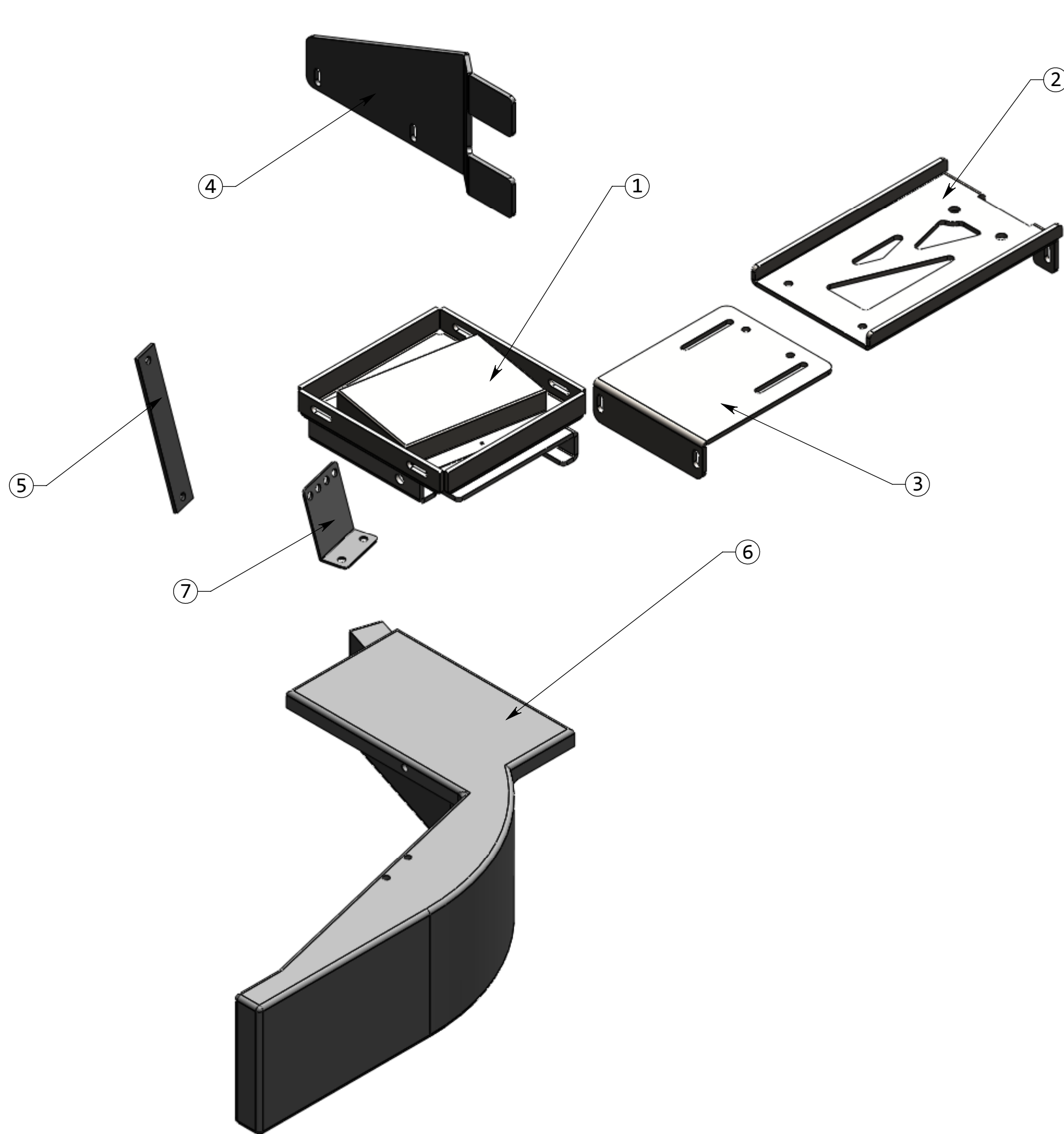


REVISIONS				
ZONE	REV.	DESCRIPTION	DATE	APPROVED



ITEM NO.	PART NUMBER	DESCRIPTION	QTY.
1	PTS-2011-001	SPRING LOADED RECEIVER ASSEMBLY	1
2	PTS-2011-001-10	CHANNEL MOUNT-1	1
3	PTS-2011-001-11	ANGLE MOUNT-1	1
4	PTS-2011-001-6 REV C	UPRIGHT-1	1
5	STRAP8-5INCH	RUBBER STRAP	1
6	NABI210-6.5-1.5	GUARD, NABI210	1
7	PTS-09-165-1	BRACKET	1

CUSTOMER : PUBLIC TRANS SAFTEY		
PART NUMBER: SCANIA 2009-2011 CKUA REAR AXLE KIT		
DESCRIPTION :		
MATERIAL: SEE BOM		THICKNESS:
FINISH:	DRAWN BY:	DATE: 4/30/2014
PRESS BRAKE INFORMATION		UNLESS OTHERWISE SPECIFIED TOLERANCE INFORMATION
BEND DEDUCTION		.X = + OR - .030    .XX = + OR - .020    .XXX = + OR - .010
PRESS BRAKE V DIE		FRACTION = + OR - 1/16"    ANGLES = + OR - 1/2 DEG
PRESS BRAKE PUNCH		

# PMF

## PACIFIC METAL FAB

*Defining The Cutting Edge In Metal Fabrication*  
 PRECISION METAL FABRICATION, DESIGN ENGINEERING & ASSEMBLIES  
 311 CHAMBERS ST. EUGENE, OR 97402 - PO BOX 41090 EUGENE, OR 97404  
 (541) 747-7331 - 1-877-747-7331 - FAX (541) 747-6130

THIRD ANGLE PROJECTION	WEIGHT: 68.577	SCALE: 1:12
	REVISION	SHEET 1 OF 1