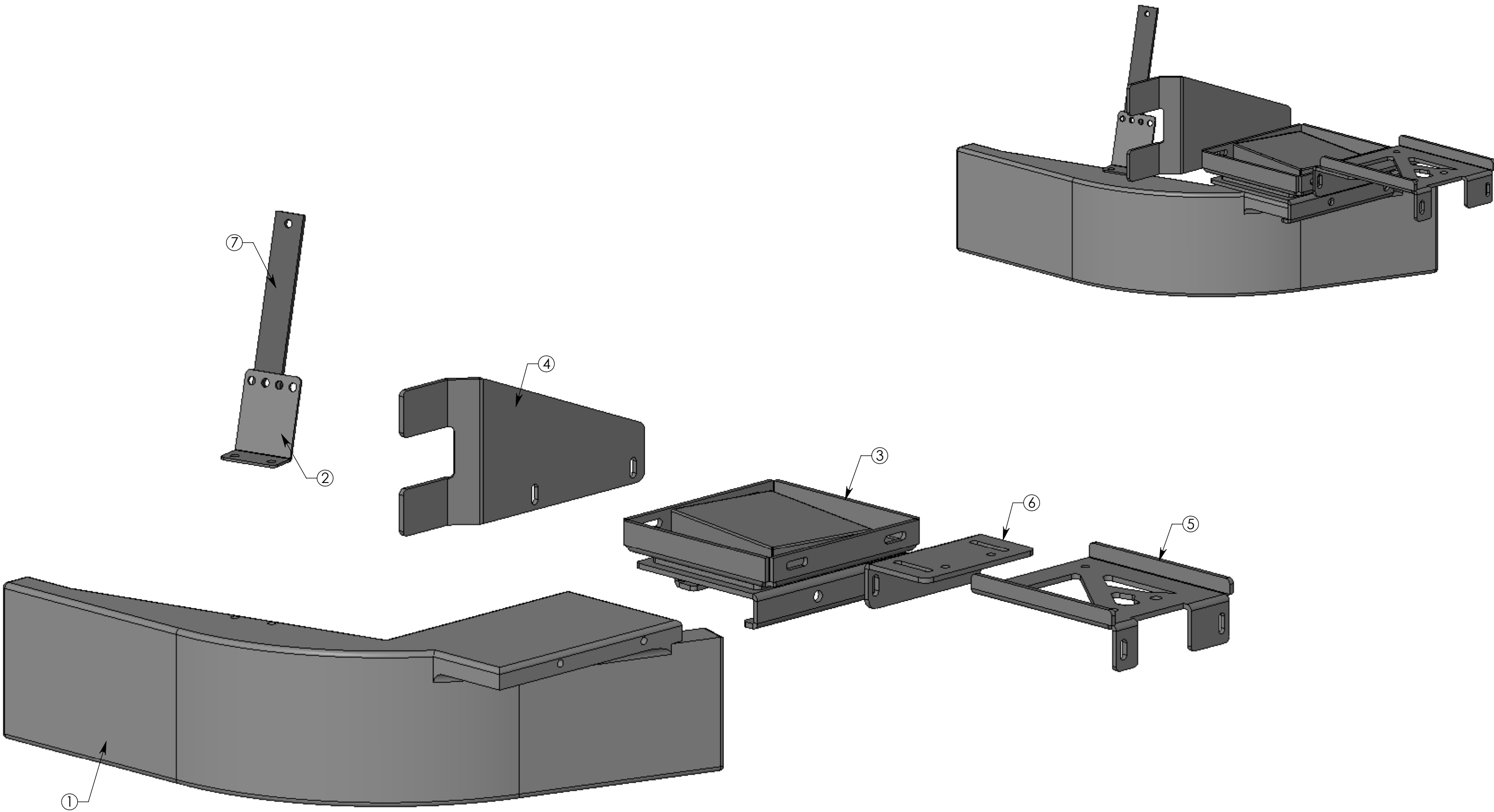


REVISIONS				
ZONE	REV.	DESCRIPTION	DATE	APPROVED



ITEM NO.	PART NUMBER	MATERIAL	REV	THICKNESS	DESCRIPTION	QTY.
1	NABI210-6.5-1.5	Polyurethane			GUARD, NABI210	1
2	PTS-09-165-1	ASTM A36 Steel			BRACKET	1
3	PTS-2011-001	SEE BOM			SPRING LOADED RECEIVER ASSEMBLY	1
4	PTS-2011-001-6 REV C	ASTM A36 Steel	C	.250"	UPRIGHT-1	1
5	PTS-2011-001-7 REV A	ASTM A36 Steel	A	.250"	CHANNEL MOUNT	1
6	PTS-2011-001-9	ASTM A36 Steel		.250"	ANGLE MOUNT	1
7	STRAP8-5INCH	Rubber			RUBBER STRAP	1

CUSTOMER : PUBLIC TRANS SAFTEY	
PART NUMBER: SCANIA-2003-2006-CL94UA FR AXLE	
DESCRIPTION : F/R AXLE KIT ASSEMBLY	
MATERIAL: SEE BOM	THICKNESS:
FINISH:	DRAWN BY: CRAIG DATE: 4/28/2014
PRESS BRAKE INFORMATION	
UNLESS OTHERWISE SPECIFIED TOLERANCE INFORMATION	
BEND DEDUCTION	.X = + OR -.030 .XX = + OR -.020 .XXX = + OR -.010
PRESS BRAKE V DIE	FRACTION = + OR - 1/16" ANGLES = + OR - 1/2 DEG
PRESS BRAKE PUNCH	

PMF
PACIFIC METAL FAB

Defining The Cutting Edge In Metal Fabrication
PRECISION METAL FABRICATION, DESIGN ENGINEERING & ASSEMBLIES
311 CHAMBERS ST. EUGENE, OR 97402 - PO BOX 41090 EUGENE, OR 97404
(541) 747-7331 - 1-877-747-7331 - FAX (541) 747-6130

THIRD ANGLE PROJECTION	WEIGHT: 63.610	SCALE: 1:8
	REVISION	SHEET 1 OF 1

Drawing Location: F:\01-PMF-Engineering\OfficeFiles\Customer Info\Public Trans Safety\SCANIA 2003-2006 CL94UA FR AXLE KIT\